

Figure 1

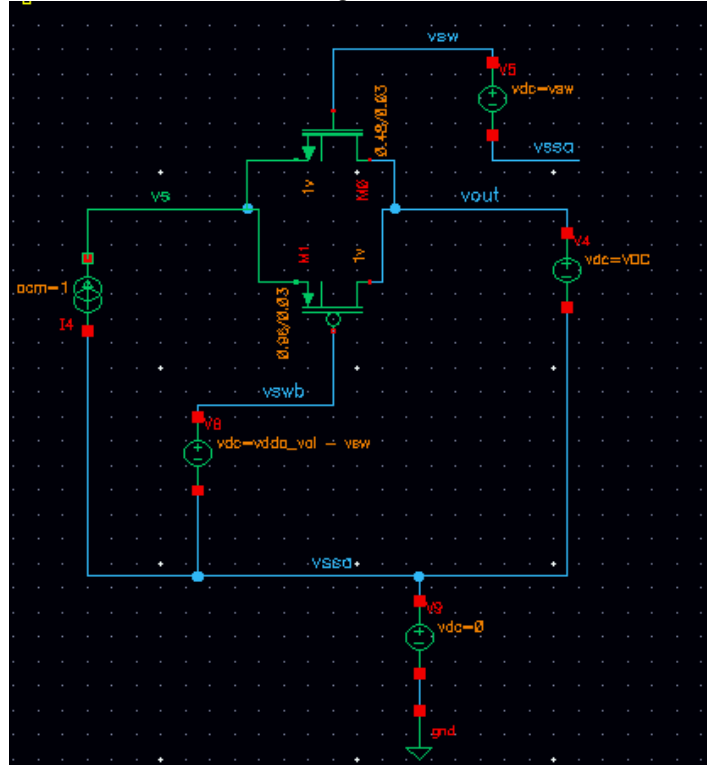


Figure 2
Input Resistance with Switch Set to "ON" state and vout between 0 and 800 mV in 200 mV Increments

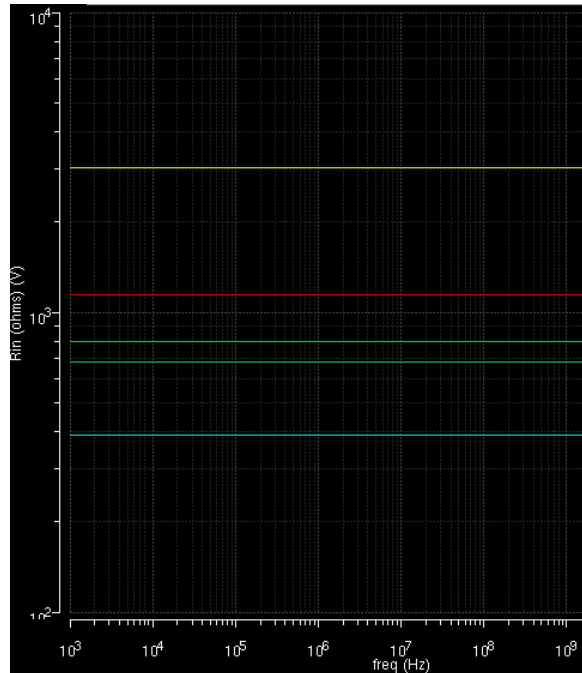


Figure 3
Input Resistance with Switch Set to "OFF" state and vout between 0 and 800 mV in 200 mV Increments

